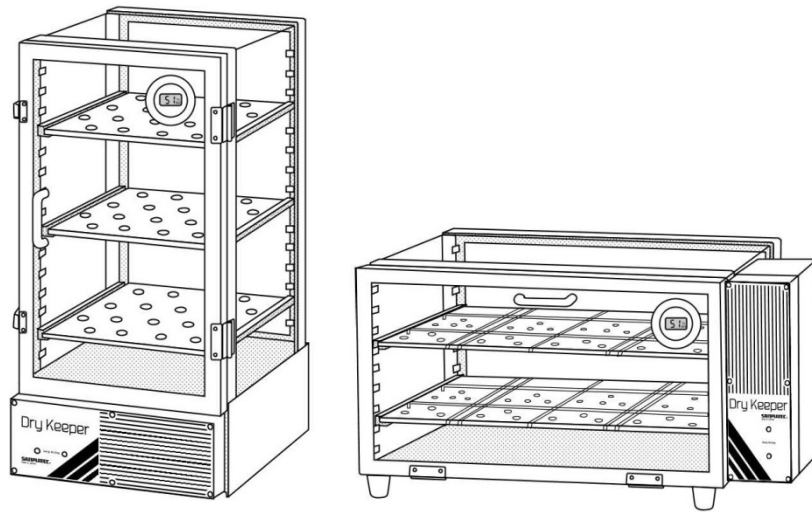


Dry Keeper

Auto C, A type

Dry Keeper Auto-Desiccator Cabinet



Before using this product, please read this instruction manual with care to avoid the risk of injuries or accidents.

- Keep this manual in a safe place for future reference
- Use this product only as indicated in this manual.
- Observe all safety instructions in the manual.

INSTRUCTIONS



Dry Keeper™ Auto-Desiccator Cabinet Catalog No. H42056-1003 & H42058-0003

To ensure that your items are being placed into a dry environment, we suggest that your desiccator be allowed to operate while empty for 24 hours.

Warning: Do not use this cabinet to store volatile or flammable materials

Operation

1. Place the cabinet on a level surface, plug into adapter/transformer supplied, then into 120V outlet to start the continuous automatic drying cycles. Both the blue light and green light will illuminate upon plugging in the unit. Both will remain lit while the desiccator is in operation.
2. Adjust shelf height to accommodate items and place items on shelves.
3. For maximum long term drying performance, minimize the amount of time that the door remains open and do not disconnect the cabinet from the electrical source.
4. To clean the cabinet, use a soft cloth. Do not use abrasive cleansers which will leave scratches. We recommend the use of Aquet™ Detergent, Catalog No. F17094-0030.



H42056-1003



H42058-0003

SETTING UP

<p style="font-size: small;">Provide a level surface for the cabinet.</p>	<p style="font-size: small;">Avoid sunlight, high temperatures and moist areas.</p>	<p style="font-size: small;">For more effective absorption of humidity, do not cover the openings.</p>
---	---	--

OPERATING TIPS

<p style="font-size: small;">Do not put anything on the door or overload the cabinet</p>	<p style="font-size: small;">Open and close door gently to avoid damage</p>	<p style="font-size: small;">Do not surround with moist materials</p>
--	---	---

Accessories

Dry Keeper™ cabinet H42056-1003 is supplied with 3 adjustable shelves and 6 shelf rails. Dry Keeper™ cabinet H42058-0003 is supplied with 2 adjustable shelves and 4 shelf rails. Additional shelves and rails are available from your laboratory supplier.

Shelf Description	Part Number
Shelf for H42056-1003	94205-6602
Shelf for H42058-0003	94205-6802
Shelf rail, order 2 per shelf	94205-3605

Let others know what you think. Write a product review at www.belart.com

661 Route 23 South, Wayne, NJ 07470

TEL: 1-800-423-5278 • FAX: 973-694-7199 • www.belart.com

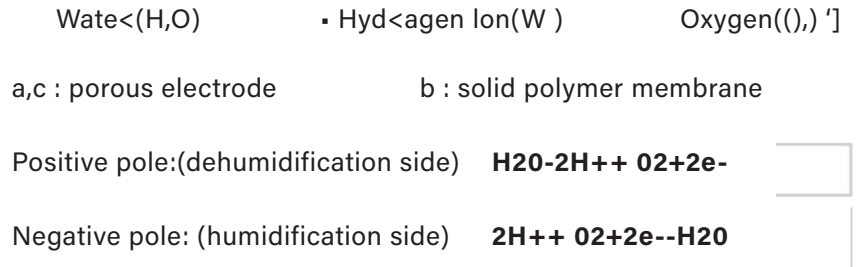
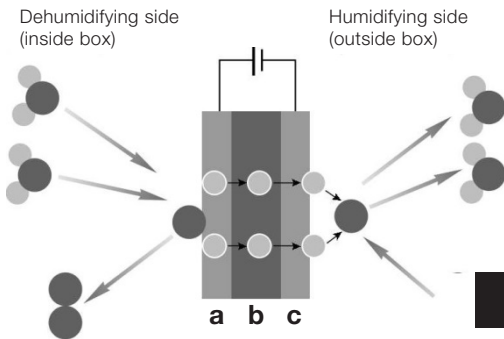
Bel-Art – SP Scienceware assumes no obligation or liability for any advice furnished by it, or for results obtained with respect to these products. All such advice is given and accepted at the buyer's risk.
© 2019. All Rights Reserved.
Bel-Art® – SP Scienceware® is a division of SP Industries, Inc.



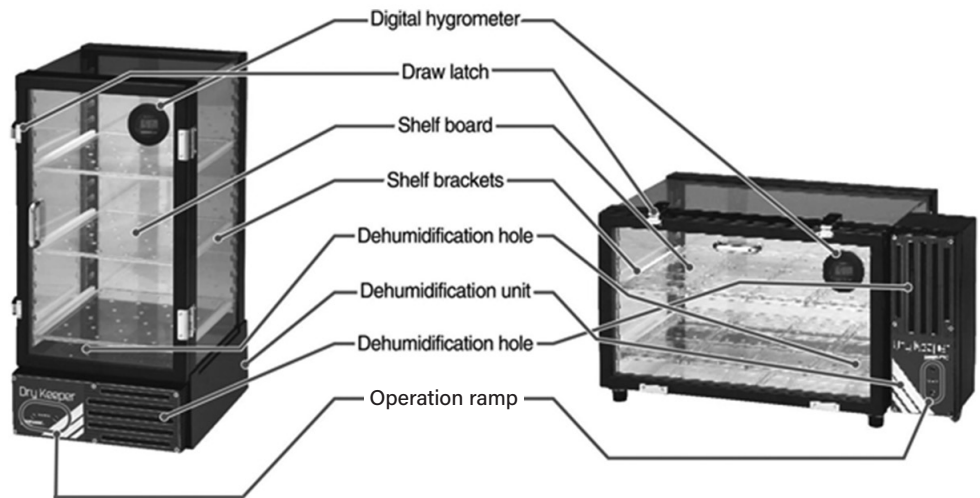
1. Feature of Dry Keeper Auto-Desiccator Cabinet

This is a desktop type desiccator that has a dehumidifying unit. It has a solid polymer electrolyte membrane which works to electrolyze the humidity inside of the desiccator, constantly dehumidifying it, while maintaining 30-40%RH, without the need for a circulating fan inside. This unit also has adapted LED lights indicating that the unit is working properly

• Dehumidification principle

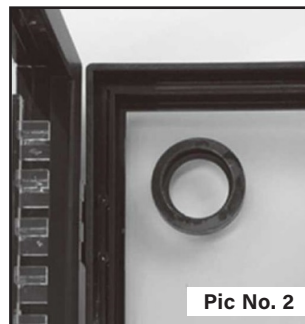
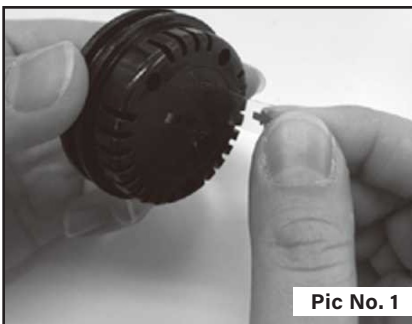


2. Name of each part:



3. How To Use The Digital Hygrometer

- Pull the insulating tape that is attached to the digital hygrometer to start it. (Pic No.1)
- Fit the digital hygrometer (Pic No.3) to ring part (Pic No.2) that is inside the door.
- Install the shelf brackets and shelves according to your needs.
- Close the door and plug the unit into the 120VAC to 100VAC Step-Down-Converter (supplied) and then plug this converter into a standard wall outlet.
- The blue and green LED's will light indicating that the unit has begun dehumidifying.
- The desiccator will maintain a relative humidity of 30-40% in the box automatically.

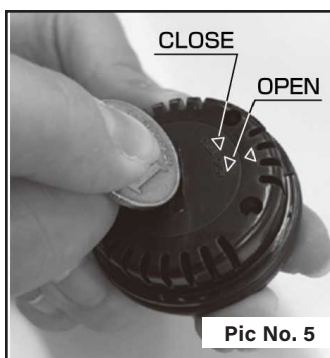
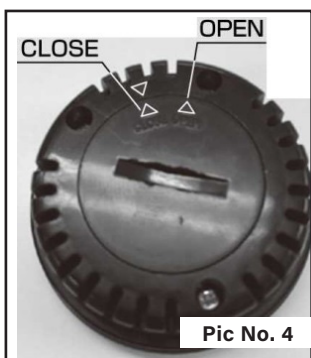


NOTE:

- We recommend allowing the inside of the cabinet to stabilize for about 6 hours before use. (6 hours is a guide for the stabilizing time inside the cabinet. This may vary slightly given the temperature and humidity conditions of your laboratory.
- Please use the hygrometer on the front door as your guide

• How to change the battery of Digital Hygrometer

Put a coin into the slot on the back of the digital hygrometer's case and turn it to the "OPEN" mark. (Pic No.4 and No.5) Remove cover and replace with battery model "CR2032" (Pic No.6) After exchanging the battery, return the cover and turn to the "CLOSE" mark.



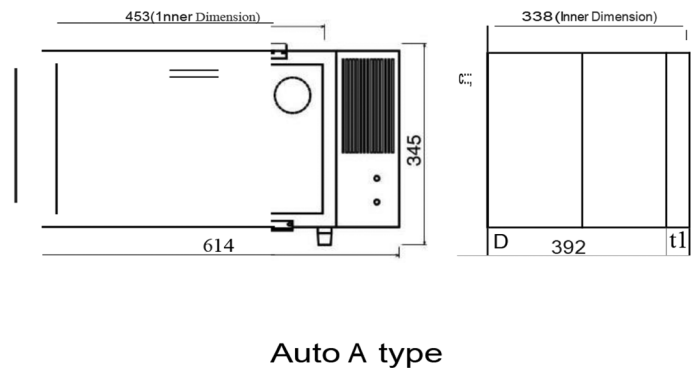
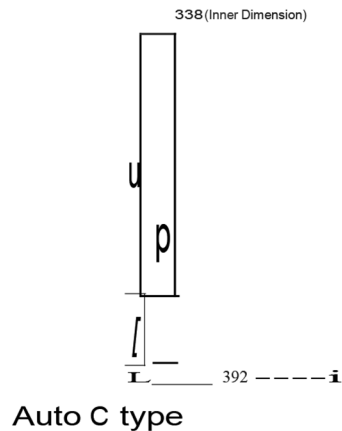
4. Attention

- Solid polymer electrolyte membrane works semi-permanently; however, it is possible to degrade its performance due to organic solvent fumes. Please refrain from using it to store volatile chemicals or placing it near volatile chemicals.
- This is not a drying machine. It is not suitable for drying wet samples.
- Do not store flammable gases or liquids inside the cabinet.
- Samples should be stored on the shelf, Do not store samples on the floor of the units
- Keep it clear from dust, contamination, and a micro-particle atmosphere.
- To clean, use a soft cloth and a mild detergent. Using a rough cloth with solvent-based cleaners will cause scratches or cracks.

5. Specifications:



Model	AutoC..JB/AutoC..JW	AutoC..JBS	Auto A..JB / Auto A..JW
External dimension(mm)	W317 × 0392 × H617		W614 × 0392 × H345
Effective external dimension(mm)	W255 × 0338 × H452		W453 × 0338 × H255
Material(door, frame)	Polyvinyl chloride (TranspcM'ent) / ABS	Polyvinylchloride (Black) / ABS	Polyvinyl chloride (Transpc'l'ent) / ABS
Dehumidification method	Electrolysis of water in tenns of Solid polymer electrolyte membrane		
Humidity control range	30 - 40%/oRH		
Power source	Single-phase 100V 50/60Hz		
SheH board interval	28mm intervals 15 levels		28mm intervals 8 levels
Weight	About 7kg		About &kg
Accessory	Digital Hygrometer, 3 shelf boards		Digital Hygrometer, 2 shelf boards



• Specification of Digital Hygrometer

Function	Display of relative humidity
Range of specification temperature	0·c-40·c
Range of display	20%-95% If less than 19%, display "LO" If more than 96%, display "HI"
Performance of humidity	At normal temperature (20·c-25·C) 30%-40% ±5% Except at left ±7%
Display of suitable humidity	Display OJ 20%-40%
Measurement interval	About 20 seconds
Battery	Button Battery CR2032
Battery life	About 1 year
Display of exchange battery mark	Q (Under 2.5v)

Display shown on the Liquid crystal face of the digital hygrometer



Full indication



Usual indication



Displays as OJ when the humidity is between 20%-40%



Battery icon indicates when battery change is needed.
This display will indicate when the humidity will be less than 2.5v (2.49v)

NOTE:

This unit is equipped for use with 100V power supply. The power transformer supplied with this unit must be used.

VOLTAGE CONVERSION CHART

Main Region List for Each Voltage			Plug Type List			
220V-240V Region						
Europe	Asia	Oceania				
England Italy Switzerland Netherland Spain Russia Germany France etc.	India Indonesia Thailand Singapore Korea China HongKong Philippines Mongolia etc.	Australia New Zealand New Caledonia etc.				
			110V-130V Region			
			North South America	Asia	Oceania	
			USA Canada Mexico Brazil etc.	Taiwan Vietnam etc.	Guam etc.	
* This data may change depends on your area. Please make sure to check your correct voltage before purchasing.			<div style="display: flex; justify-content: space-around;"> <div style="text-align: center;"> <p style="background-color: #333; color: white; padding: 2px;">A Type</p> </div> <div style="text-align: center;"> <p style="background-color: #333; color: white; padding: 2px;">B Type</p> </div> <div style="text-align: center;"> <p style="background-color: #333; color: white; padding: 2px;">B3 Type</p> </div> <div style="text-align: center;"> <p style="background-color: #333; color: white; padding: 2px;">BF Type</p> </div> </div> <div style="display: flex; justify-content: space-around; margin-top: 10px;"> <div style="text-align: center;"> <p style="background-color: #333; color: white; padding: 2px;">C Type</p> </div> <div style="text-align: center;"> <p style="background-color: #333; color: white; padding: 2px;">O Type</p> </div> <div style="text-align: center;"> <p style="background-color: #333; color: white; padding: 2px;">O2 Type</p> </div> <div style="text-align: center;"> <p style="background-color: #333; color: white; padding: 2px;">SE Type</p> </div> </div> <p style="text-align: center; margin-top: 10px;"> The plug type of SANPLATEC products is "A" type. Please make sure to check correct plug type. </p>			

6. Troubleshooting

If this item does not operate properly, please troubleshoot before requesting a repair. If a repair is necessary, please contact us or a distributor.

- It does not turn on. (Pilot lamp does not turn on)
 - Is the unit unplugged?
- Humidity does not get lower.
 - Is the door opened?
 - Are stored items omitting humidity?
 - Are there any items blocking a humidification vent?
- The digital humidity does not display
 - Please check battery.

7. About this instruction manual

- Contents of this manual might be changed without notifying in order to improve a function and performance of products.
- We do not permit any unauthorized duplication, unauthorized reproduction or unauthorized copying part or the entire instruction manual.
- If the manual is mis-placed, please contact us.