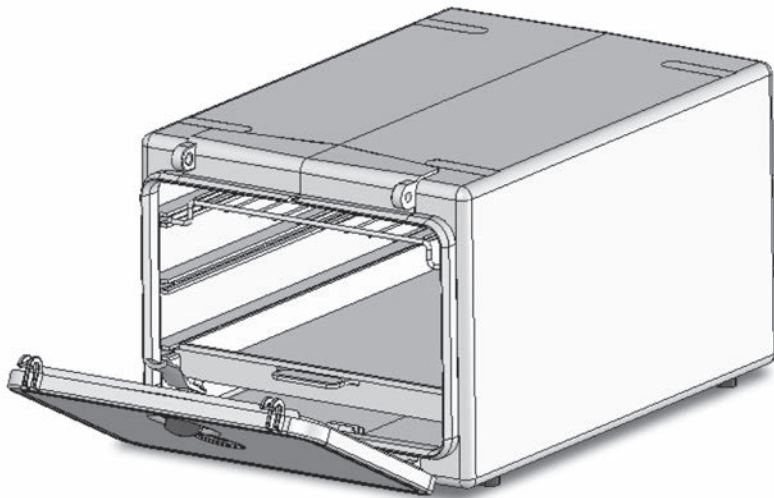


INSTRUCTIONS



Secador® Refrigerator Ready Desiccator

Catalog No. F42011-0000



The Secador® Refrigerator Ready Desiccator is purposely designed for use inside refrigerators and upright -20°C freezers, but can also be used at room temperature. The clear polycarbonate housing allows for easy visualization of contents as well as the desiccant saturation status, while the extra-long depth and low profile complement the shape of typical refrigerators and upright -20°C freezers. The pull down door is compatible for use inside refrigerators with right or left-handed doors and the sliding shelf (20.6W x 33.3D x 2.2cmH) has a built in stop to prevent unintentional removal.

Directions for Use:

The desiccator is designed for use within the temperature range from -20°C to 41°C (-4°F to 105°F) and should be placed on a horizontal surface with sufficient room in front of the cabinet to provide space for door opening. Wide, soft rubber footings provide slip resistance and are designed to span the gaps in refrigerator wire shelving.

Place desiccant cartridges (sold separately) on the desiccant support, which has spacing for up to three (3) Desi Cans™ (F42046-0000) or up to two (2) Desiccant Cartridges (F42048-0100). The desiccant support prevents contact of your materials with the desiccant while permitting maximum visibility of the desiccant saturation status. NOTE: Additional desiccants can be placed in the space below the shelf.

The sliding shelf features a built-in stop to prevent accidental removal. To remove the shelf, pull shelf forward to the stop then gently angle upwards while continuing to pull. Reverse procedure to reinsert the shelf.

The door is hinged at the bottom, sealed with a long-lasting closed cell gasket, and can be easily opened with one hand via a ¼ turn cam latch. A lock loop on the door permits a padlock or a tamper evident tag to be used to prevent unauthorized opening.

Care and Cleaning:

To clean the cabinet, use a soft cloth. Do not use abrasive cleansers which will leave scratches. We recommend the use of Bel-Art Products Aquet™ Detergent, Cat. No. F17094-0030.

WARNINGS – For Safe Operation of the Secador Refrigerator Ready Desiccator:

- DO NOT AUTOCLAVE
- DO NOT USE above a maximum temperature of 41°C (105°F)
- DO NOT USE below -20°C (-4°F)
- DO NOT USE concentrated acids as a desiccant
- DO NOT USE with organic solvents. Organic solvents and their vapors may attack the polycarbonate material and cause crazing (hairline cracking) of the surface
- DO NOT place in front of heating or air conditioning ducts
- DO NOT place near a heating device
- The midjoint of this desiccator is gasketed and secured by steel nuts and bolts. This hardware is factory assembled and no attempt should be made to alter the tightness of the nuts

Related Products

Catalog No.	Description
F42048-0100	Disposable Desiccant Cartridges 100mm
F42046-0000	Desi Can™ Reusable Desiccant Canister
F17094-0030	Aquet™ Detergent



F42048-0100



F42046-0000



F17094-0030

661 Route 23 South, Wayne, NJ 07470

TEL: 1-800-4BEL-ART • FAX: 973-694-7199 • www.belart.com

Scienceware® and Secador® are registered TMs of Bel-Art Products. Bel-Art Products assumes no obligation or liability for any advice furnished by it, or for results obtained with respect to these products. All such advice is given and accepted at the buyer's risk. © 2012 Bel-Art Products. All Rights Reserved.



Bel-Art Products

942011009 – 11/12

