

# INSTRUCTIONS

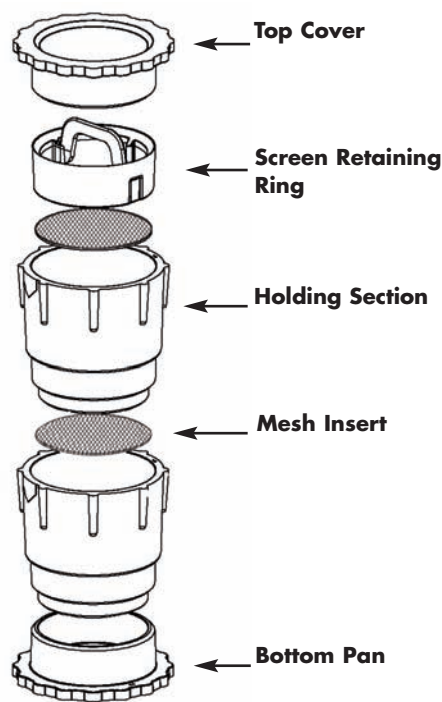


## MINI-SIEVE MICRO SIEVE SET

Catalog No. F37845-1000

By using all 4 sections and 4 mesh screens, 5 particle sizes can be separated

1. Select 4 sizes of mesh screen suitable for your material.
  2. Place the mesh screen inserts in the holding sections with the coarsest mesh in the top section and increasingly finer mesh sizes in lower sections.
  3. Assemble the screen retaining rings into all sections.
  4. Assemble the bottom pan to the lowest holding section.
  5. Fill the top section with the sample to be sieved.
  6. Assemble the top cover to the top section.
  7. Shake the entire unit for several minutes.
  8. Remove the bottom pan to obtain the finest particles.
  9. Check the other sections to determine percentage of each retained particle size.
- Eight mesh screens included, one each of 25, 35, 45, 60, 80, 120, 170 and 230 standard mesh. Replacement pack of eight mesh screens. Catalog No. F37846-0000.



## OTHER FINE SCIENCEWARE® PRODUCTS FOR YOUR LABORATORY

### Write-On™ Tape Dispensers make labeling easy and fast

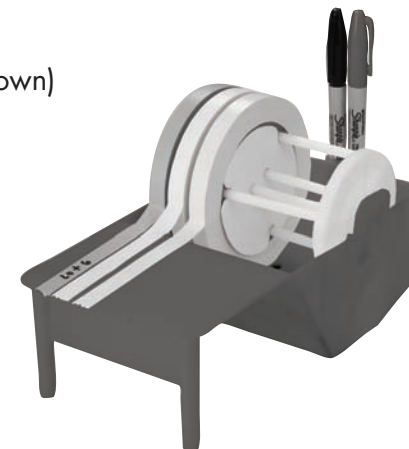
Producing legible labels is so much easier on a smooth, flat platform than on curved surfaces such as bottles or vials. The new Scienceware® Write-On™ Tape Dispenser provides this convenience by always having labeling tape positioned on the large writing platform, ready to make into a label. Select either the benchtop model with weighted base or economy model that can be wall mounted to save space. All models are easy to use by both left and right handed users.

Each dispenser can hold 5 or more tape rolls with widths from 12 – 25mm (½ – 1"). Ideal for use with the full line of Scienceware®, Write-On™ Tapes, F13463 series, available in 6 colors and three widths, 12, 19, and 25mm (½", ¾" and 1"). This advanced tape adheres to any clean surface and resists moisture and most solvents. It withstands long exposure to temperatures as low as -73°C (-68°F) and up to 80°C (176°F) yet peels off without leaving a sticky residue. To see the full line of Scienceware®, Write-On™ Tape, visit [www.belart.com](http://www.belart.com) or request the new catalog from Bel-Art Customer Service, 800.423.5278.

Contact your preferred distributor to order these and other Scienceware® products.

CATALOG NO.	DESCRIPTION	DIMENSION
F13472-0000	Benchtop Model	302 x 143 x 121 mm H (12 x 5 <sup>5</sup> / <sub>8</sub> x 4 <sup>3</sup> / <sub>4</sub> " H)
F13473-0000	Economy Model	302 x 143 x 106 mm H (12 x 5 <sup>5</sup> / <sub>8</sub> x 4 <sup>3</sup> / <sub>16</sub> " H)

**Economy Model** (shown)  
Can be wall-mounted



**Benchtop Model** (not shown)  
Includes weighted base



## BEL-ART PRODUCTS

661 Route 23 South, Wayne, NJ 07470-6814 USA  
TEL: 1-800-4BEL-ART • FAX: 973-694-7199 • [www.belart.com](http://www.belart.com)

937845007

Scienceware®, is a reg. TM of Bel-Art Products

Bel-Art Products assumes no obligation or liability for any advice furnished by it, or for results obtained with respect to these products. All such advice is given and accepted at the buyer's risk.

03/05