



The Collector™ Blood Tray
 Catalog No. F18631-0715

Locking clips for handle

Make sure both LOCKING CLIPS are installed before using the Blood Tray with the handle

To install handle LOCKING CLIPS:

- 1) Fit the round posts at the bottom of the handle through the mounting holes on each end of the Blood Tray.
- 2) Slide the LOCKING CLIPS completely down along the inside wall surface of the Blood Tray as shown in FIGURE 1 until the round posts of the handle are trapped and prevented from sliding back out of the mounting holes.
- 3) Test to make sure that the handle is secured to the Blood Tray

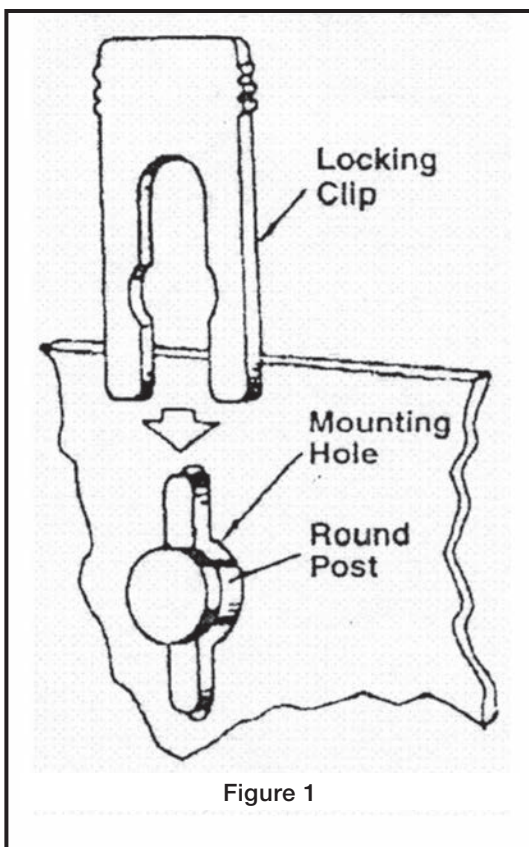


Figure 1

661 Route 23 South, Wayne, NJ 07470

TEL: 1-800-4BEL-ART • FAX: 973-694-7199 • www.belart.com

Scienceware® is a registered TM of Bel-Art Products.
 Bel-Art Products assumes no obligation or liability for any advice furnished by it,
 or for results obtained with respect to these products. All such advice is given and accepted at the buyer's risk.
 © 2012 Bel-Art Products. All Rights Reserved.



BEL-ART PRODUCTS

918631008 - 05/12

