

INSTRUCTIONS



Safety-Vented™ Wash Bottles

Catalog No. F11642/643-series

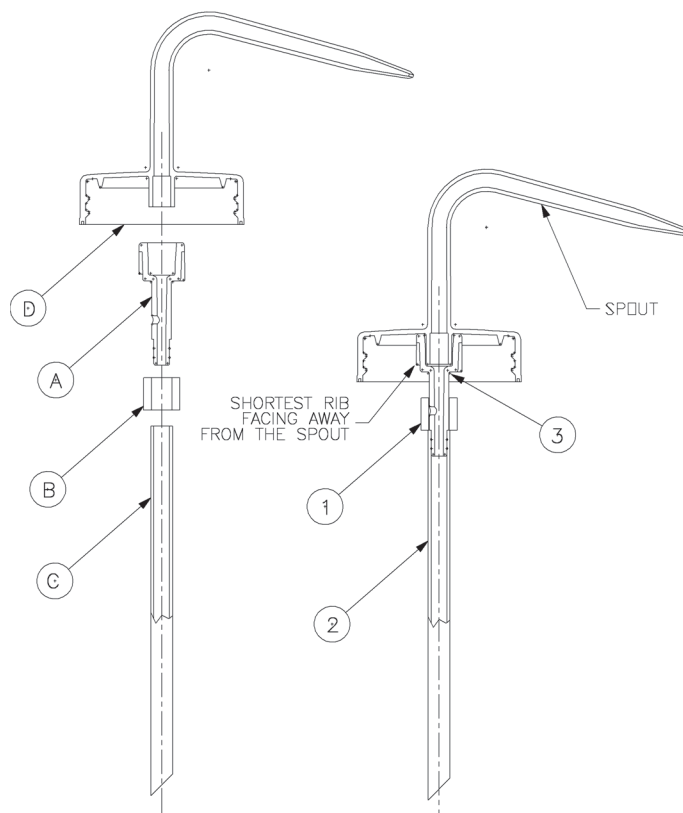
Chemical	250ml (8oz.)	500ml (16oz.)	Color-Coded Caps
Acetone	F11643-0222	F11642-0622	Red
Ethanol	F11643-0239	F11642-0639	Natural
Ethyl Acetate	N/A	F11642-0612	Green
Isopropanol	F11643-0224	F11642-0624	Yellow
Label Your Own Bottle (LYOB)	F11643-0238	F11642-0638	Natural
Methanol	F11643-0223	F11642-0623	Green

The venting fitting is an anti-siphoning device that prevents volatile liquids from percolating up through the stem and dripping out of the tip when there is a change in atmospheric pressure or temperature. Additionally, this venting fitting allows the wash bottle to dispense liquids with the bottle in an inverted position.

Assembly Directions

The venting fitting is in three pieces: (A) the stem, (B) the slide valve and (C) the tube. These three pieces will be assembled and attached to underside of the cap (D)

1. Assemble the slide valve (B) onto the narrow end of the stem (A)
2. Press the square cut end of the tube (C) onto the narrow end of the stem (A) to retain the slide valve (B) on the stem. The square cut end of the tube must be pressed past the two ribs on the narrow end of the stem (A) until it stops at the slightly wider mid section of the stem.
3. Press the large, wide end of the stem (A) onto the center boss on the underside of the wash bottle cap (D). The shortest of the four ribs on the wide end of the stem should be facing away from the direction of the spout tip.
4. Screw the cap and assembled venting fitting and tube securely onto the bottle neck.



NOTE: High vapor pressure liquids may exhibit some dripping when the bottle is first filled and capped. To prevent this from happening screw the cap on loosely and allow to sit for a short time before tightening.

The Safety-Vented Wash Bottles are for dispensing only, **NOT** for storage

Let others know what you think. Write a product review at www.belart.com

661 Route 23 South, Wayne, NJ 07470

TEL: 1-800-423-5278 • FAX: 973-694-7199 • www.belart.com

Bel-Art – SP Scienceware assumes no obligation or liability for any advice furnished by it, or for results obtained with respect to these products.

All such advice is given and accepted at the buyer's risk.

© 2019. All Rights Reserved.

Bel-Art® – SP Scienceware® is a division of SP Industries, Inc.



911642053 – Rev 2

